

# EUROPEAN GLAZING

Bringing the outdoors in.

## 2023/2024 PRODUCT CATALOGUE



European Glazing Pty Ltd  
PH: 0403 876 454

130 Gipps Road, Smithfield NSW 2164  
Email: [info@europeanglazing.com](mailto:info@europeanglazing.com)  
Web: [www.europeanglazing.com](http://www.europeanglazing.com)



[european\\_glazing](https://www.instagram.com/european_glazing)



<https://www.youtube.com/@europeanglazing/videos>



# EUROPEAN GLAZING

## Product Guide

### VERTIFLEX FAMILY

Vertiflex Twin  
Vertiflex All Clean  
Vertiflex Up

### TIARA FAMILY

Tiara 8  
Tiara 10  
Tiara Twin

### SLIDER FAMILY







Slidemaster 10  
Slidemaster Twin  
SliderNext

# VERTIFLEX

## Motorised verticle glazing system

Vertiflex automatic gullotine glazing system is a motorised remote controlled, vertical sliding, glass wall system.

The applications for Vertiflex is almost endless including:

-  Hotels
-  Restaurants
-  Shopfronts
-  Balconies/ Patios
-  Cafes
-  Pool Fencing/ Balustrades



Technical Details		Description		Testing	
Panel Sizes	Maximum Width 4500mm Maximum Height 4500mm	Air permeability tested to EN 12207	Class 3	Water Tightness tested to EN 12208	Class 9A
Panel Configuration	2 panels 3 Panels 4 Panels	Impact resistance tested to EN 14019	Class I3/ E5	Deflection tested to EN 12211/12210	+600 Pa: 47.5mm -600 Pa: 48.0mm
Glass Type - Clear standard	5mm + 12mm + 5mm Toughened 6mm + 10mm + 6mm Toughened	Repeated pressure test to EN 12211/ 12210	+PA300/-PA301	Safety teseting tested to EN 12211/ 12210	+ 900 Pa / - 900Pa
Acoustic/ Thermal	Viridian - Climatch Viridian - Light Bridge Viridian - LightbridgeNEXT				
Movement Mechanism	120 Newton Metre Motor Chain driven with capacity of 800KG				

European Glazing Pty Ltd  
PH: 0403 876 454

130 Gipps Road, Smithfield NSW 2164  
Email: [info@europeanglazing.com](mailto:info@europeanglazing.com)  
Web: [www.europeanglazing.com](http://www.europeanglazing.com)



[european\\_glazing](https://www.instagram.com/european_glazing)



<https://www.youtube.com/@europeanglazing/videos>

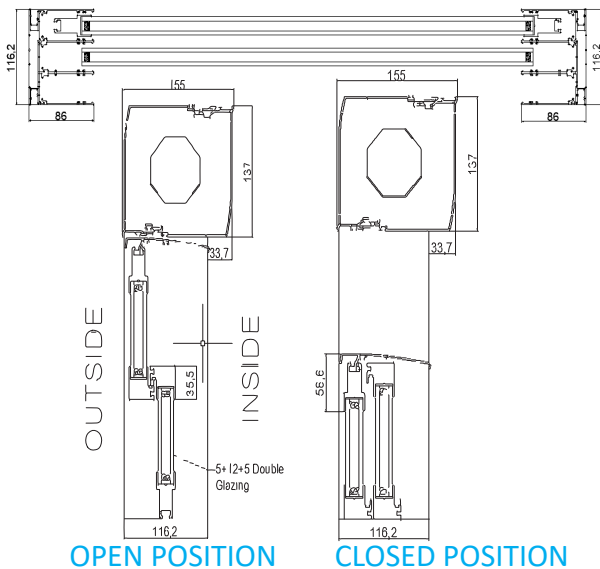
## Panel configuration

Vertiflex can be configured in 2 of three panels. In 2 panel configuration we can ensure that the panels finish to the relevant height requirements for balustrades.

### 2 Panels



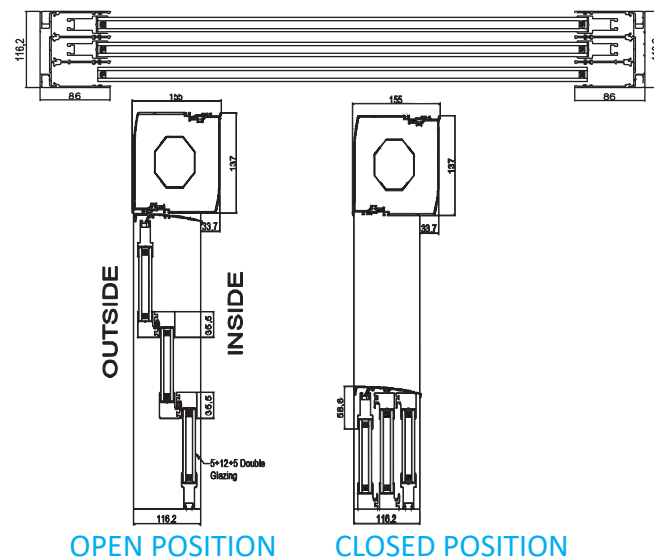
#### 2 Panel Sections



### 3 Panels



#### 3 Panel Sections



European Glazing Pty Ltd  
PH: 0403 876 454

130 Gipps Road, Smithfield NSW 2164  
Email: [info@europeanglazing.com](mailto:info@europeanglazing.com)  
Web: [www.europeanglazing.com](http://www.europeanglazing.com)



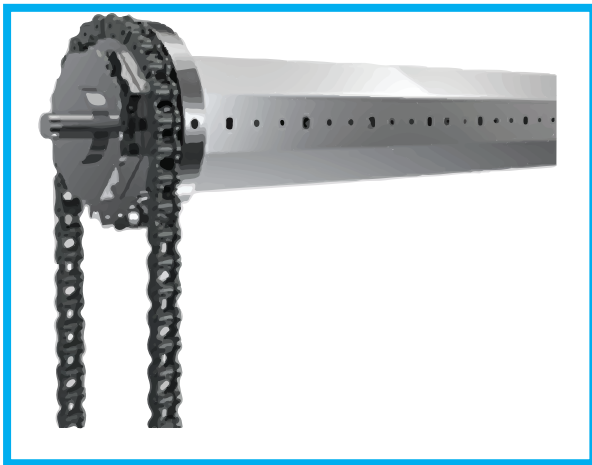
[european\\_glazing](https://www.instagram.com/european_glazing)



<https://www.youtube.com/@europeanglazing/videos>



## Lifting mechanism



Vertiflex automatic gullotine glazing system uses a stainless chain with stainless steel sprockets fixed to galvanised octagonal tube. Each chain is rated at 400kg giving the system an 800kg lifting capacity using a 120Nm motor.

The system can be stopped at any height required and is programmed to open and close in completely open or completely closed position.

## Home automation

Vertiflex automatic gullotine glazing system can be optioned with full home automation compatible with Alexa and Google Home.

For commercial use our system can be integrated with the Building Management System (BMS).

## Multiple Vertiflex Units

A 5 channel remote control is supplied for all applications where there is more than one system installed. All systems can be synchronised to operate as one or can be operated individually.



# VERTIFLEX ALL CLEAN

## Motorised verticle glazing system

Vertiflex All Clean automatic gullotine glazing system is a motorised remote controlled, vertical sliding, glass wall system with ability to cleaned from the inside

The applications for Vertiflex is almost endless including:



Hotels



Balconies/ Patios



Cafes



High Rise Buildings



Pool Fencing/ Balustrades



Restaurants



### Technical Details

### Description

Panel Sizes	Maximum Width 4500mm Maximum Height 4500mm
Panel Configuration	2 panels 3 Panels 4 Panels
Glass Type - Clear standard	5mm + 12mm + 5mm Toughened 6mm + 10mm + 6mm Toughened
Acoustic/ Thermal	Viridian - Climatech Viridian - Light Bridge Viridian - LightbridgeNEXT
Movement Mechanism	120 Newton Metre Motor Chain driven with capacity of 800KG



European Glazing Pty Ltd  
PH: 0403 876 454

130 Gipps Road, Smithfield NSW 2164  
Email: [info@europeanglazing.com](mailto:info@europeanglazing.com)  
Web: [www.europeanglazing.com](http://www.europeanglazing.com)



[european\\_glazing](https://www.instagram.com/european_glazing)



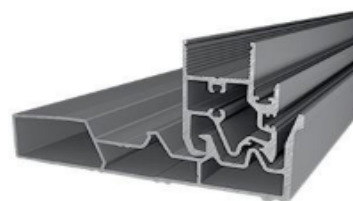
<https://www.youtube.com/@europeanglazing/videos>



# VERTIFLEX ALL CLEAN

## How it works

Vertiflex All Clean automatic gullotine glazing system offers easy cleaning the outside face of all the panels from the INSIDE. With its patented locking and release system the front two panels release and open inward to allow cleaning of the outside face of the glass. This is an excellent option for high rise building and areas which have limited access or just too high to clean effectively.



## Home automation

Vertiflex automatic gullotine glazing system can be optioned with full home automation compatible with Alexa and Google Home.

For commercial use our system can be integrated with the Building Management System (BMS).

## Multiple Vertiflex Units

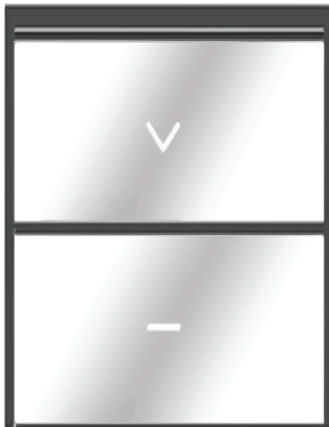
A 5 channel remote control is supplied for all applications where there is more than one system installed. All systems can be synchronised to operate as one or can be operated individually.



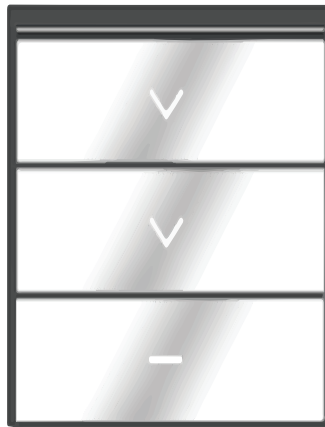


## Panel configuration

### 2 Panels



### 3 Panels



## Home automation

Vertiflex automatic gullotine glazing system can be optioned with full home automation compatible with Alexa and Google Home.

For commercial use our system can be integrated with the Building Management System (BMS).

## Multiple Vertiflex Units

A 5 channel remote control is supplied for all applications where there is more than one system installed. All systems can be synchronised to operate as one or can be operated individually.



European Glazing Pty Ltd  
PH: 0403 876 454

130 Gipps Road, Smithfield NSW 2164  
Email: [info@europeanglazing.com](mailto:info@europeanglazing.com)  
Web: [www.europeanglazing.com](http://www.europeanglazing.com)



[europeanglazing](https://www.instagram.com/europeanglazing)



<https://www.youtube.com/@europeanglazing/videos>







# VERTIFLEX UP

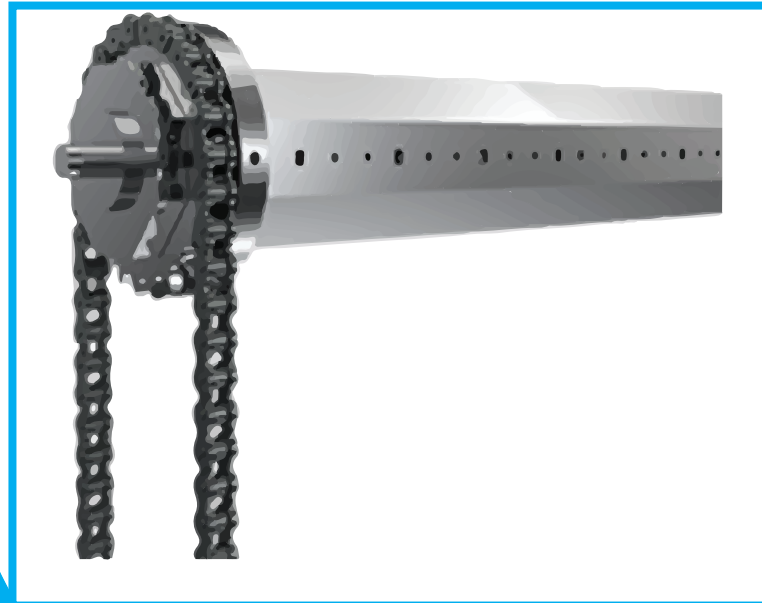


## Motorised verticle glazing system

Vertiflex UP is the next generation of automatic gullotine glazing system is a motorised remote controlled, vertical sliding. The sliding panel move up and stacks at the top to provide unimpeded access. When closed offers the best views. This is perfect for patios to provide the protection from the elements and when not required can be left in the open position to allow passage.

The applications for Vertiflex is almost endless including:

-  Hotels
-  Balconies/ Patios
-  Cafes
-  Shopfronts
-  Pool Fencing/ Balustrades
-  Restaurants



Technical Details	Description
Panel Sizes	Maximum Width 4500mm Maximum Height 4500mm
Panel Configuration	2 panels 3 Panels
Glass Type - Clear standard	5mm + 12mm + 5mm Toughened 6mm + 10mm + 6mm Toughened
Acoustic/ Thermal	Viridian - Climatech Viridian - Light Bridge Viridian - LightbridgeNEXT
Movement Mechanism	120 Newton Metre Motor Chain driven with capacity of 800KG

European Glazing Pty Ltd  
PH: 0403 876 454

130 Gipps Road, Smithfield NSW 2164  
Email: [info@europeanglazing.com](mailto:info@europeanglazing.com)  
Web: [www.europeanglazing.com](http://www.europeanglazing.com)



[european\\_glazing](https://www.instagram.com/european_glazing)



<https://www.youtube.com/@europeanglazing/videos>



# VERTIFLEX UP



## Technical and Space Requirements

Vertiflex UP automatic gullotine glazing system can be installed in most applications where there is a need for direct passage. However the minimum height required to provide a clear 2.0m passages is 3.1m high however the system can be manufactured upto 4.5m in total height. Minimum width required is 2.50m. The applications are endless as they can be used as garage doors, shopfront openings, patios and event partitions within office areas for meeting rooms etc. All Vertiflex systems are chain driven via remote control thus providing the utmost safety as there is no chance of slippage.

## Home automation

Vertiflex UP automatic gullotine glazing system can be optioned with full home automation compatible with Alexa and Google Home.

For commercial use our system can be integrated with the Building Management System (BMS).

## Multiple Vertiflex Units

A 5 channel remote control is supplied for all applications where there is more than one system installed. All systems can be synchronised to operate as one or can be operated individually.



European Glazing Pty Ltd  
PH: 0403 876 454  
130 Gipps Road, Smithfield NSW 2164  
Email: [info@europeanglazing.com](mailto:info@europeanglazing.com)  
Web: [www.europeanglazing.com](http://www.europeanglazing.com)



[europeanglazing](https://www.instagram.com/europeanglazing)



<https://www.youtube.com/@europeanglazing/videos>



# VERTIFLEX UP



European Glazing Pty Ltd  
PH: 0403 876 454

130 Gipps Road, Smithfield NSW 2164  
Email: [info@europeanglazing.com](mailto:info@europeanglazing.com)

Web: [www.europeanglazing.com](http://www.europeanglazing.com)



[european\\_glazing](https://www.instagram.com/european_glazing)







<https://www.youtube.com/@europeanglazing/videos>



# SLIDEMASTER

## Dual Sliding Stacker Doors

Slidemaster is a dual sliding stacker door system, available in 10mm single glazed or double glazed. It has a minimalist frame design utilising quad rollers for a smooth sliding action. Available with multiple locking options and layout options, it really is second to none. Not only does the Slidemaster slide from either side the doors can slide past each other offering a very simple and easy cleaning ability.

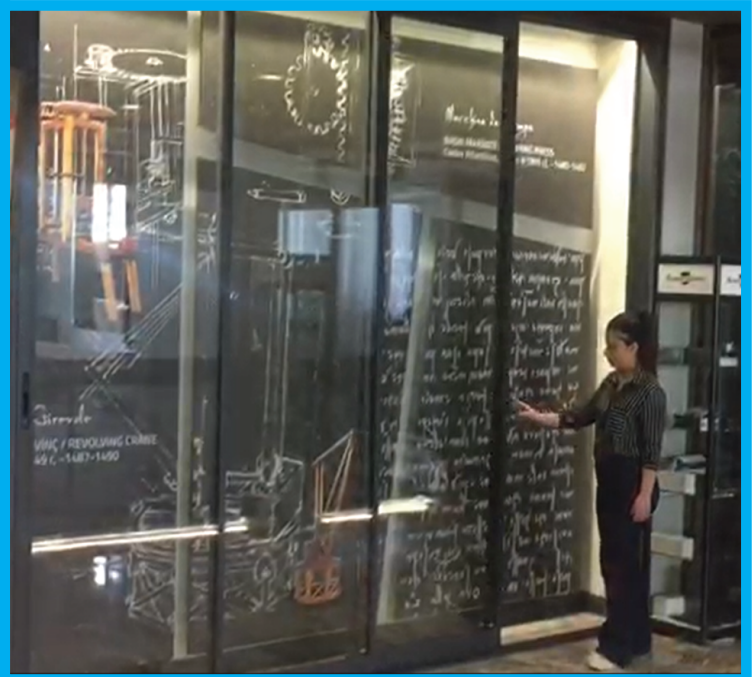
-  Shopfronts
-  Cafes

-  Balconies/ Patios
-  Office partitions

-  Balconies/ Patios
-  Entrance and exit doors

→ Slides from left to right

← Slides from right to left



### Dual carriage rollers

Dual carriage rollers use on all slidemaster doors are constantly self adjusting to provide the smoothest rolling at all times

### Technical Details

### Description

Panel Sizes	Maximum panel width 1500mm Maximum panel height 2800mm
Glass Type - Clear standard	10mm Clear glass for single glazed 4mm + 12mm + 4mm 5mm + 10mm + 5mm
Acoustic/ Thermal glass options	Viridian - Climatech 5mm + 10mm +5mm Viridian - Light Bridge 5mm + 10mm +5mm Viridian - LightbridgeNEXT 6mm + 8 + 6mm
Threshold Options	Standard 42mm Flat 15mm
Lock Options	Window Lock (inside use only) Double sided key lock

European Glazing Pty Ltd  
PH: 0403 876 454

130 Gipps Road, Smithfield NSW 2164  
Email: [info@europeanglazing.com](mailto:info@europeanglazing.com)  
Web: [www.europeanglazing.com](http://www.europeanglazing.com)



[european\\_glazing](https://www.instagram.com/european_glazing)



<https://www.youtube.com/@europeanglazing/videos>

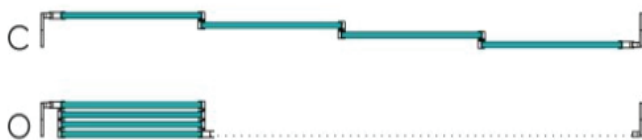


# SLIDEMASTER

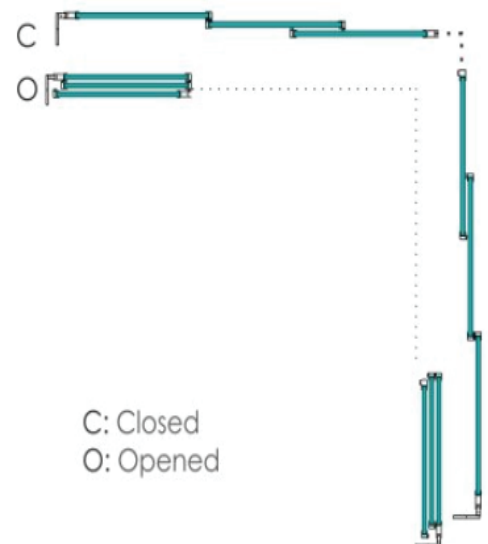
## Layout configuration

Slidemaster can be configured in multiple ways for multiple applications. In a single line as a stacker door with dual sliding. The advantage is that your internal layout is not determined by the stacker doors, doors can be opened from both end to allow a nice air flow, the doors can be stacked on both ends allowing a central opening (great for shop fronts). Using the same width track of 123mm Slidemaster can be configured to meet in centre to cover openings of upto 12.0m. In addition a corner configuration can be designed with proprietary corner meeting profiles offering uninterrupted corners.

### Dual Opening



### Corner application



### Centre Opening



European Glazing Pty Ltd  
PH: 0403 876 454

130 Gipps Road, Smithfield NSW 2164  
Email: [info@europeanglazing.com](mailto:info@europeanglazing.com)  
Web: [www.europeanglazing.com](http://www.europeanglazing.com)



[europeanglazing](https://www.instagram.com/europeanglazing)



<https://www.youtube.com/@europeanglazing/videos>

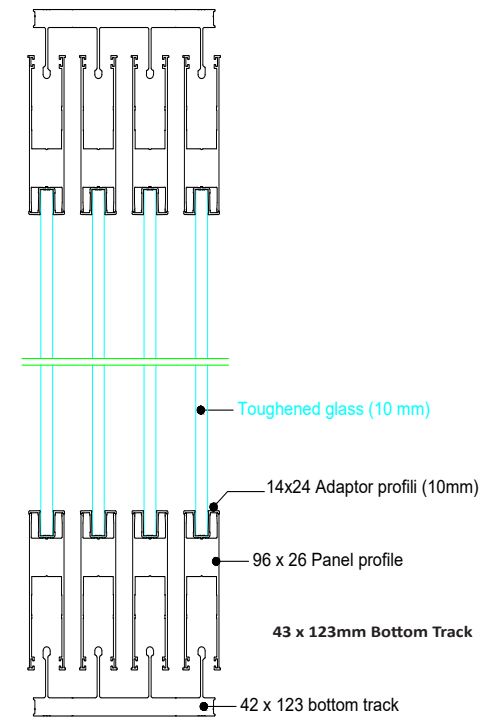
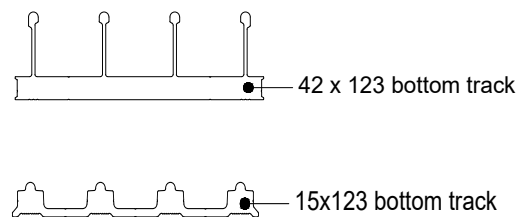
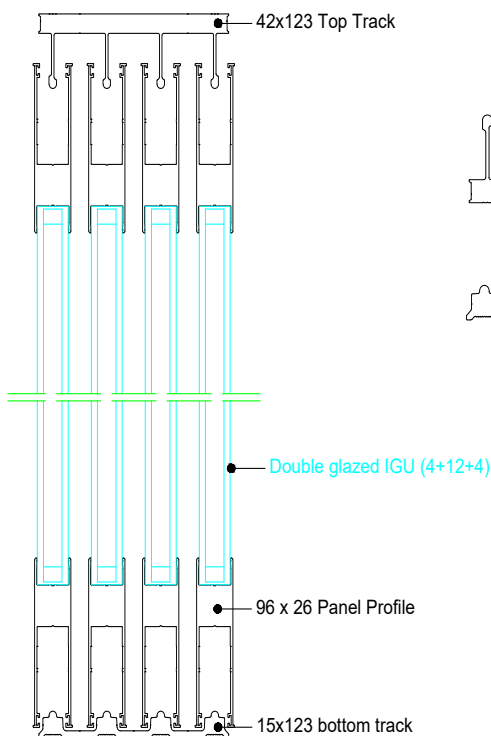


# SLIDEMASTER

## Track configuration

Slidemaster can be configured using two types of track.  
Slimline 15mm high track generally used for doors and high passage areas.

The 43mm high track is generally used when manufactured in window applications.



Slidemaster 10 Single glazed Section



European Glazing Pty Ltd  
PH: 0403 876 454

130 Gipps Road, Smithfield NSW 2164  
Email: [info@europeanglazing.com](mailto:info@europeanglazing.com)  
Web: [www.europeanglazing.com](http://www.europeanglazing.com)



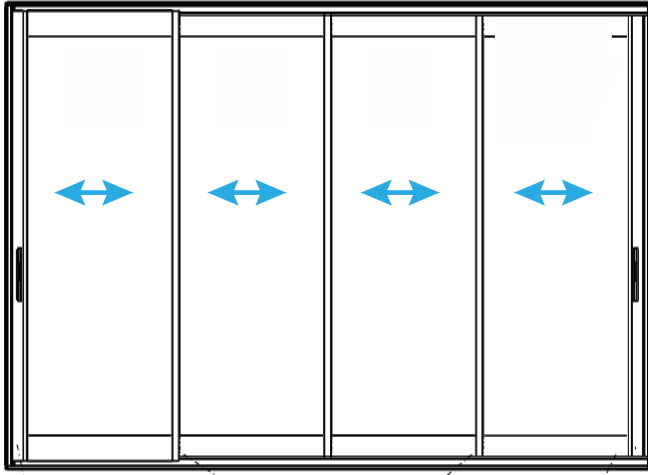
[european\\_glazing](https://www.instagram.com/european_glazing)



<https://www.youtube.com/@europeanglazing/videos>

# SLIDEMASTER

## Sections and panel operation



**Dual sliding stackers**  
**Easy cleaning**  
**Double or 10mm single glazed**

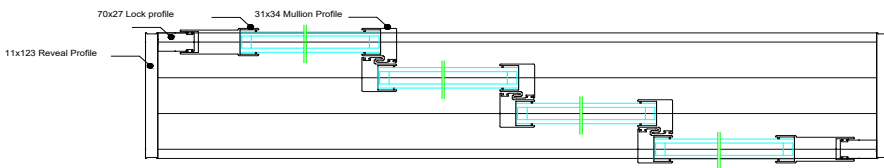


**Narrow backset  
parrot beak lock**

**Standard internal  
window lock**

The parrot beak lockset allows operation of doors from both the inside and the outside

The standard window lockset is operable only from the inside with automatic locking when set in the lock position



Slidemaster Flat Twin / Layout section



European Glazing Pty Ltd  
PH: 0403 876 454

130 Gipps Road, Smithfield NSW 2164  
Email: [info@europeanglazing.com](mailto:info@europeanglazing.com)  
Web: [www.europeanglazing.com](http://www.europeanglazing.com)



[europeanglazing](https://www.instagram.com/europeanglazing)



<https://www.youtube.com/@europeanglazing/videos>












# SLIDERNEXT

The next generation is sliding stacker doors

SliderNext is the next generation in sliding stacker doors which gives you nothing but glass and full panoramic views, whilst providing protection from the elements.

The SliderNext All Glass uses 10mm toughened glass on a 5 track design. There are multitude of options when choosing your configuration for the SliderNext including centre meeting, side meeting and more. As with all of our SlideMaster family each system is dual sliding with a multitude of lock options.

SliderNext can be applied to numerous applications including:-

- |   |  |  |
|---|--|--|
|  Hotels     |  Restaurants    |  Main Entry Doors           |
|  Shopfronts |  Balconies      |  Commercial and Residential |
|  Cafes      |  Alfresco areas |  Patios/ Entertaining areas |



European Glazing Pty Ltd  
PH: 0403 876 454  
130 Gipps Road, Smithfield NSW 2164  
Email: [info@europeanglazing.com](mailto:info@europeanglazing.com)  
Web: [www.europeanglazing.com](http://www.europeanglazing.com)



[european\\_glazing](https://www.instagram.com/european_glazing)



<https://www.youtube.com/@europeanglazing/videos>



# SLIDERNEXT

The next generation is sliding stacker doors

SliderNext provides the ultimate frame-less look whilst providing you the some of the best insulation from the elements from the 10mm toughened glazing.



## Technical Details

## Description

Panel Sizes	Maximum panel width 1300mm Maximum panel height 3100mm
Glass Type - Clear standard	10mm Clear glass for single glazed 10mm E glass 10mm Tinted
Threshold	16mm Threshold
Lock Options	Espagnolette 4 point locking systems Hook Lock system (double sided access) Window lock system



European Glazing Pty Ltd  
PH: 0403 876 454  
130 Gipps Road, Smithfield NSW 2164  
Email: [info@europeanglazing.com](mailto:info@europeanglazing.com)  
Web: [www.europeanglazing.com](http://www.europeanglazing.com)



[european\\_glazing](https://www.instagram.com/european_glazing)



<https://www.youtube.com/@europeanglazing/videos>

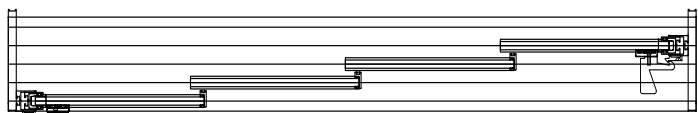


# SLIDERNEXT

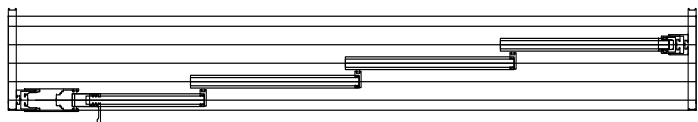
The next generation is sliding stacker doors

SliderNext has the best versatility of configuration and with the size limits and track options it can span openings in excess of 12.0m with one track.

## Single track with optional locking systems



SMART LOCK SYSTEM

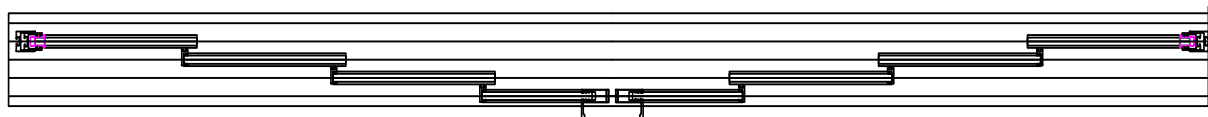


ESPAGNOLETTE LOCK  
HOOK LOCK SYSTEMS



SliderNext Section

## Single track centre close option



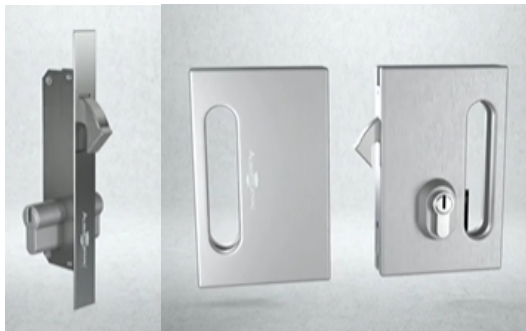
CENTRE MEETING STILE



# SLIDERNEXT

The next generation is sliding stacker doors

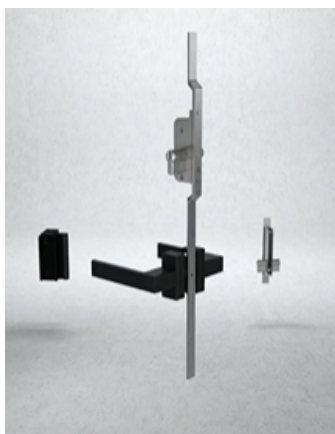
SliderNext has a minimalist design giving you maximum panoramic views. The options of locks and detail in the profiles used are second to none. Each system can be configured to individuals taste and requirements



Hook Lock Inox Glass to Glass Lock



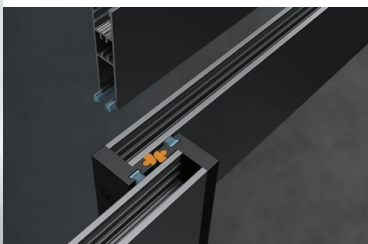
Smart Lock



4 Point Espagnolette  
Lock

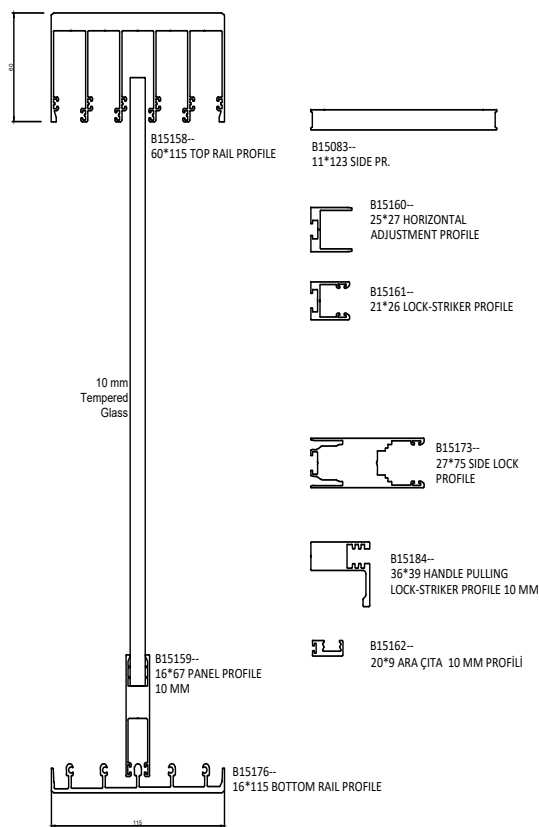


Wall Lock  
System



Panel sealing system

## Slider Next Flat 10 ALL GLASS



Detail Section



European Glazing Pty Ltd  
PH: 0403 876 454

130 Gipps Road, Smithfield NSW 2164  
Email: [info@europeanglazing.com](mailto:info@europeanglazing.com)  
Web: [www.europeanglazing.com](http://www.europeanglazing.com)



[european\\_glazing](https://www.instagram.com/european_glazing)



<https://www.youtube.com/@europeanglazing/videos>



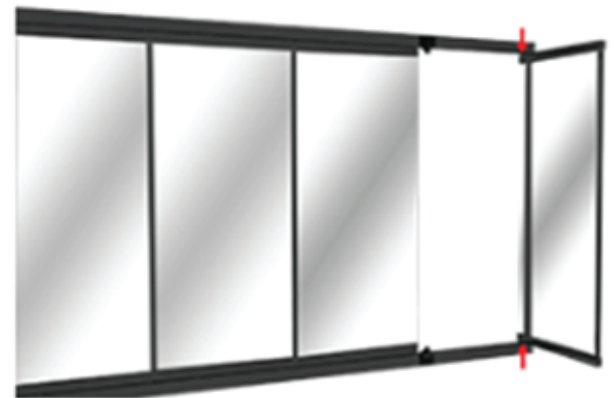
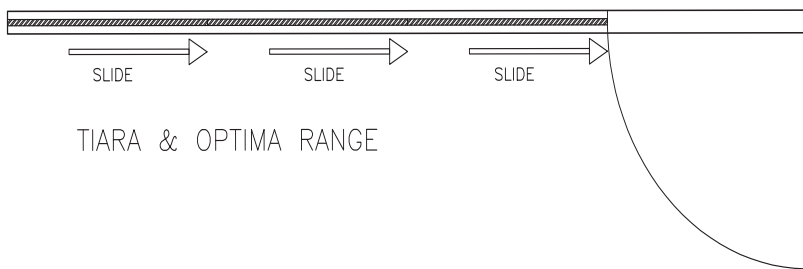
# TIARA

## Slide and stack glazing system

The Tiara range is a unique slide and stack door system, available in 8mm or 10mm single glazed or double glazed. The single glazed range is manufactured with toughened glass and frame-less. The double glazed version comprises of various glass options dependent on your requirements with a combined glass thickness of 28mm. Both the single glazed and double glazed are available with three different threshold options as well as multiple locking options and layout options, it really is second to none.

### How does the Tiara systems work

Tiara is the most versatile enclosure system on the market. Tiara is a track based system both top and bottom, where each panel (maximum 800mm) runs along the track and opens at the designated end. For larger openings two stacking areas are built on either side to allow the door panels to exit and stack. The main advantage of the Tiara range is the flexibility as you can open as many doors as required. The most impressive feature of the Tiara the ability to be constructed for curved areas as well as being able to go around corners. One clear advantage of the Tiara ranges over a traditional bi fold system is minimal intrusion into your space as the doors travel on a track before opening. Tiara gives you freedom on how many doors you open and they are not connected.

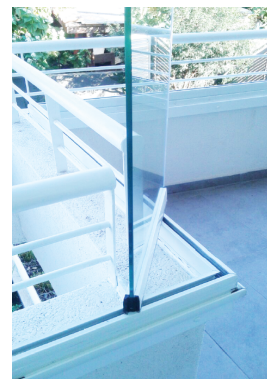
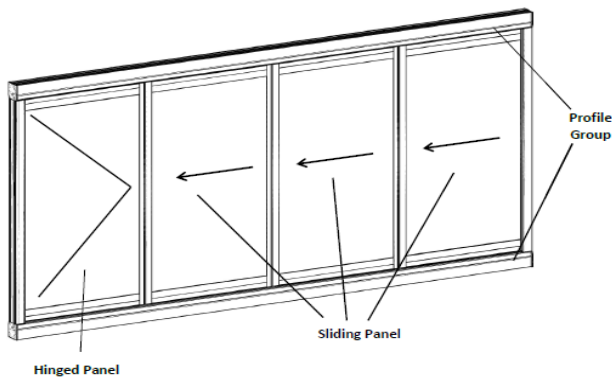


# TIARA

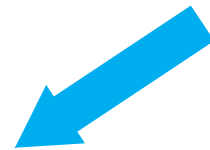
## Single Glazed 8mm and 10mm

The Tiara single glazed range is available in 8mm glass and 10mm glass all toughened.

Technical Details	Description	Technical Details	Description
<b>TIARA SINGLE GLAZED 8mm</b>		<b>TIARA SINGLE GLAZED 10mm</b>	
<b>Panel Sizes</b>	Maximum panel width 800mm Maximum panel height 2400mm	<b>Panel Sizes</b>	Maximum panel width 800mm Maximum panel height 2800mm
<b>Glass Type - Clear standard</b>	8mm Clear glass 8mm E glass 8mm Tinted	<b>Glass Type - Clear standard</b>	10mm Clear glass 10mm E glass 10mm Tinted
<b>Threshold</b>	Standard 61mm x 42mm Flat 23mm x 100mm Zero (in ground) 25mm x 82mm	<b>Threshold</b>	Standard 61mm x 42mm Flat 23mm x 100mm Zero (in ground) 25mm x 82mm
<b>Lock Options</b>	Comfort Lock Child Lock Glass to Glass Lock	<b>Lock Options</b>	Comfort Lock Child Lock Glass to Glass Lock



The Tiara range can also go around corners.



European Glazing Pty Ltd  
PH: 0403 876 454

130 Gipps Road, Smithfield NSW 2164  
Email: [info@europeanglazing.com](mailto:info@europeanglazing.com)  
Web: [www.europeanglazing.com](http://www.europeanglazing.com)



[europeanglazing](https://www.instagram.com/europeanglazing)



<https://www.youtube.com/@europeanglazing/videos>




# TIARA

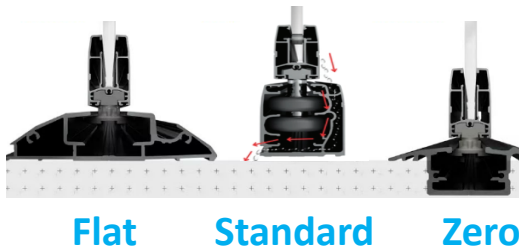
Single Glazed 8mm and 10mm

## Where can I use the Tiara System

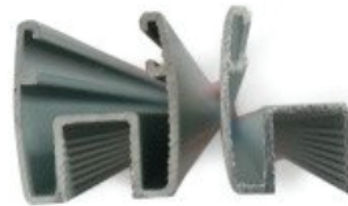
Tiara can be used in a multitude of applications whether it is residential, retail or commercial.

-  Hotels
-  Restaurants
-  Shopfronts
-  Balconies/ Patios
-  Cafes
-  Office partitions

## Thresholds available



## Optional Aluminum Joiners



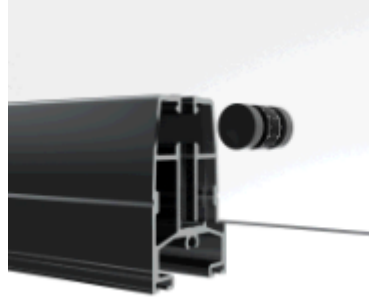
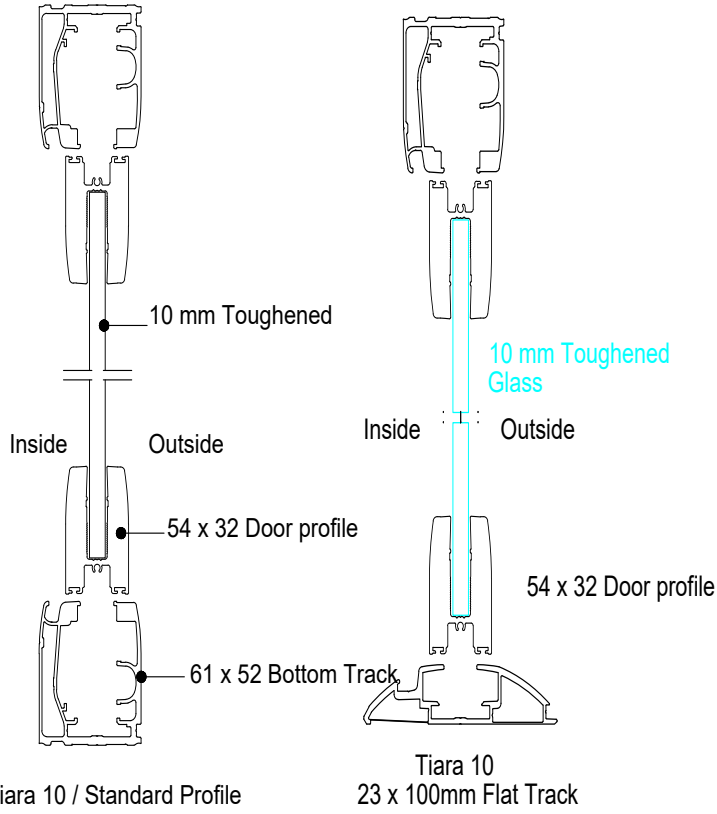
Standard joiners for all single glazed Tiara range is the PVC clear joiners. We also have aluminum Powder-coated joiners available to option.



# TIARA

## Single Glazed 8 and 10

Below is section details for all the Tiara Twin sections and connections.



Glass connection detail  
Tiara 10



Tiara 10 with Flat Threshold



Child Lock



Glass to  
Glass Lock



Rollers and wheels





# TIARA

## Tiara Twin - Double Glazed

Tiara Twin is a double glazed version of our Tiara range. As with all our Tiara range the configurations are almost endless, with the ability to be installed in curved, right angular and segmented applications. The design of the Tiara Twin offers complete isolation from the elements including:



Wind



Rain



Noise

Tiara Twin uses a espagnolette lock securing to both the top and bottom tracks providing additional security. The 28mm glass track section offers many different options for the double glazing all the way up-to the Viridian Lightbridge Next with either 6.52mm or 8.52mm glass.

### Technical Details

### Description

#### Panel Sizes

Maximum panel width 800mm  
Maximum panel height 3000mm  
Maximum opening size 14.0m

#### Glass Type - Clear standard

Total width 28mm  
4mm + 20mm + 4mm  
5mm + 18mm + 5mm

#### Acoustic/ Thermal glass options

Viridian - Climatch 6mm + 16mm + 6mm  
Viridian - Light Bridge 6mm + 16mm + 6mm  
Viridian - Lightbridge Next 6mm + 16 + 6mm

#### Threshold Options

Standard 61mm x 42mm  
Flat 23mm x 100mm  
Zero (in ground) 25mm x 82mm



Double Glazed



Espagnolette  
Lock



European Glazing Pty Ltd  
PH: 0403 876 454

130 Gipps Road, Smithfield NSW 2164  
Email: [info@europeanglazing.com](mailto:info@europeanglazing.com)  
Web: [www.europeanglazing.com](http://www.europeanglazing.com)



[europeanglazing](https://www.instagram.com/europeanglazing)



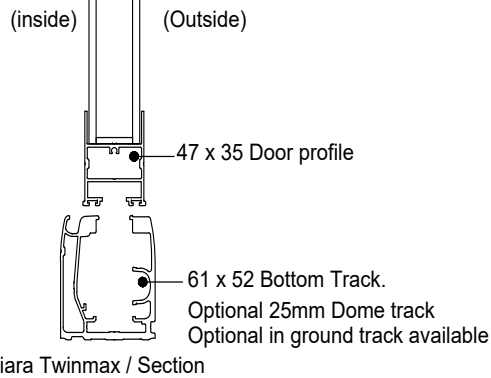
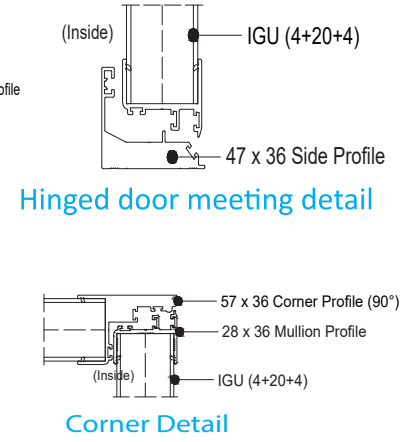
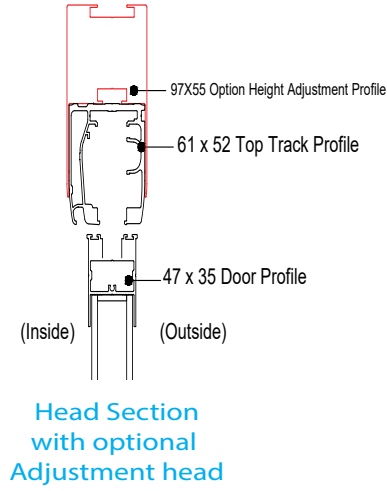
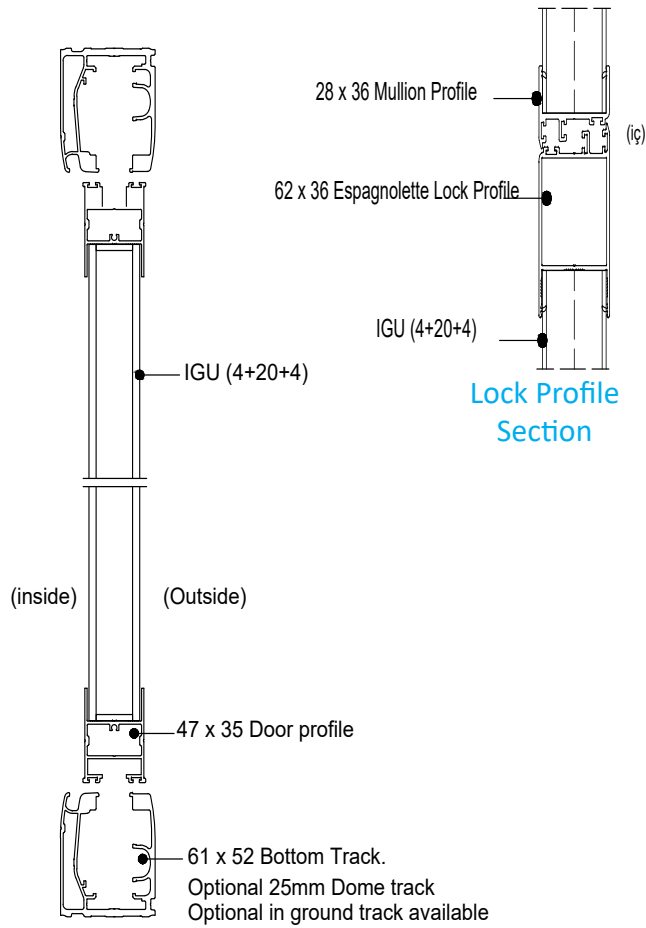
<https://www.youtube.com/@europeanglazing/videos>



# TIARA

## Sections and panel interconnection

Below is section details for all the Tiara Twin sections and connections.



Tiara turns around corners





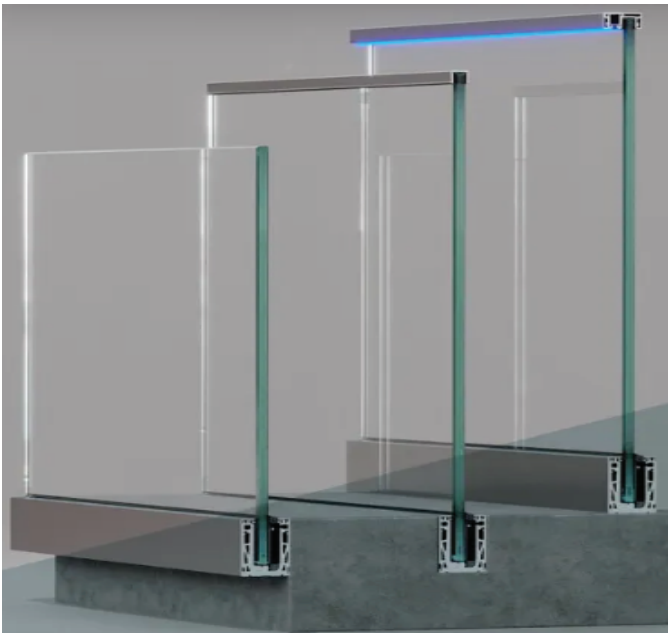
# LINERA

## The next generation in Balustrades

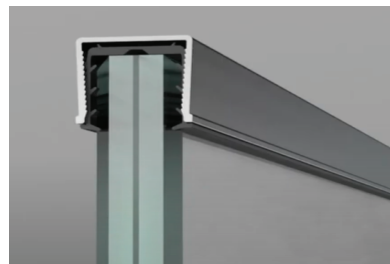
The Linera balustrade system is the next generation in heavy duty balustrades. Tested and certified the Instituto Giordano in Italy the Linera is manufactured using two layers of toughened glass 8 + 8 with a custom laminate amounting to a total of 17.52mm glass thickness.

Linera can be mounted flush on top of the finished floor, or inset into the floor or can be retro fitted to outside of your balustrade. It offers a unique adjustment system allowing up to 40mm of adjustment (20mm each way). The system is suitable for glass height of 1300mm and also offers optional top rail with LED light insert.

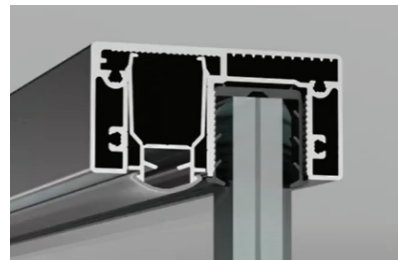
### Installation options



### Top rail options - Standard



### Top rail options - with LED light



European Glazing Pty Ltd  
PH: 0403 876 454

130 Gipps Road, Smithfield NSW 2164  
Email: [info@europeanglazing.com](mailto:info@europeanglazing.com)  
Web: [www.europeanglazing.com](http://www.europeanglazing.com)



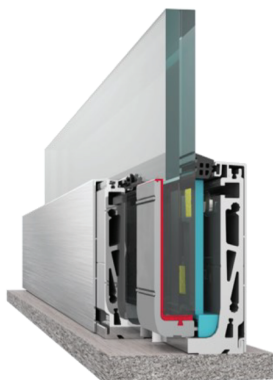
[european\\_glazing](https://www.instagram.com/european_glazing)



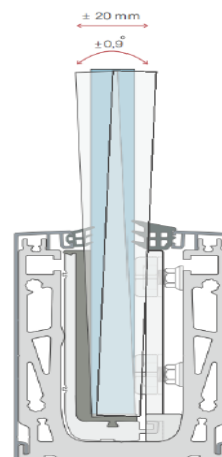
<https://www.youtube.com/@europeanglazing/videos>

# LINERA

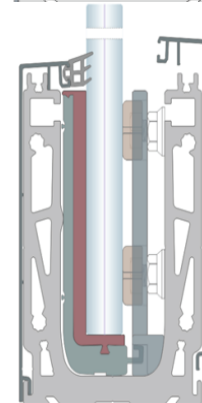
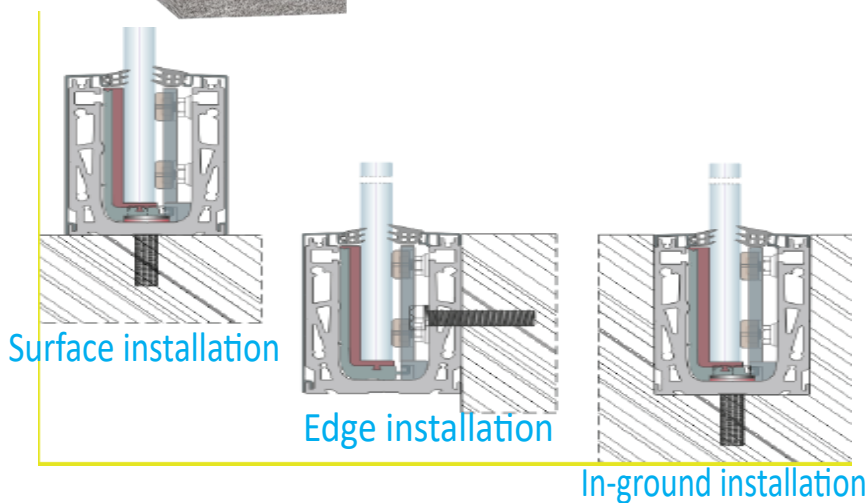
The next generation in Balustrades



The heavy duty  
balustrade system  
with 17.52mm of  
toughened laminated  
glass.



Patented adjustment  
system to ensure a  
perfect installation  
All the time.



Patented adjustment  
system to ensure a  
perfect installation  
All the time

Vertical Movement

Adjustable.  
up to 4mm

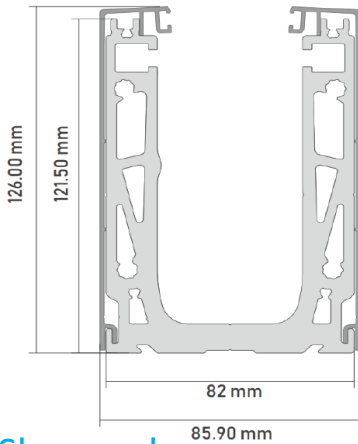




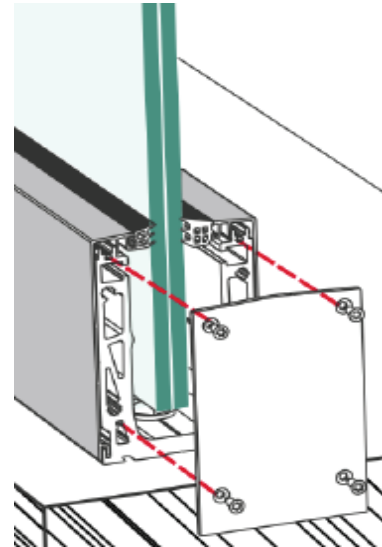
# LINERA

The next generation in Balustrades

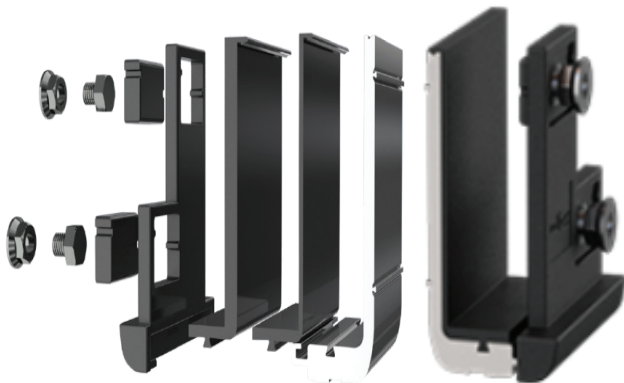
## Components of the Linera balustrade system



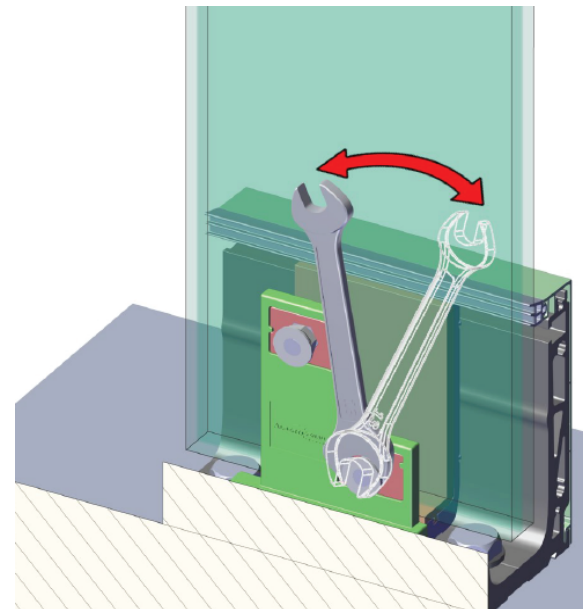
Shoe and cover panel sizes



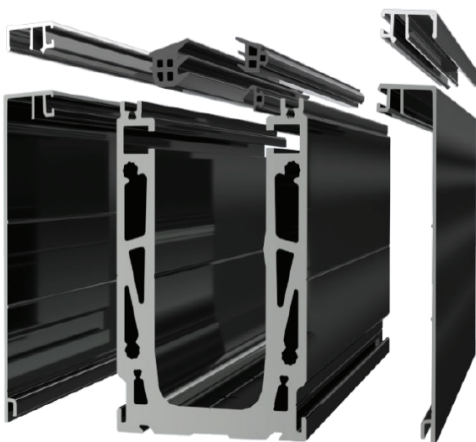
Stainless steel end cap



Adjustment components



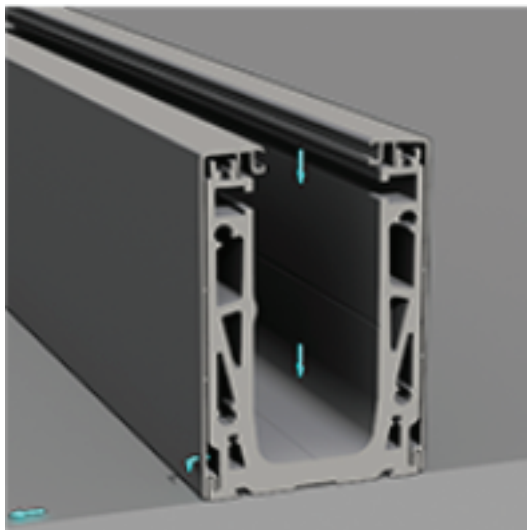
Adjustment system



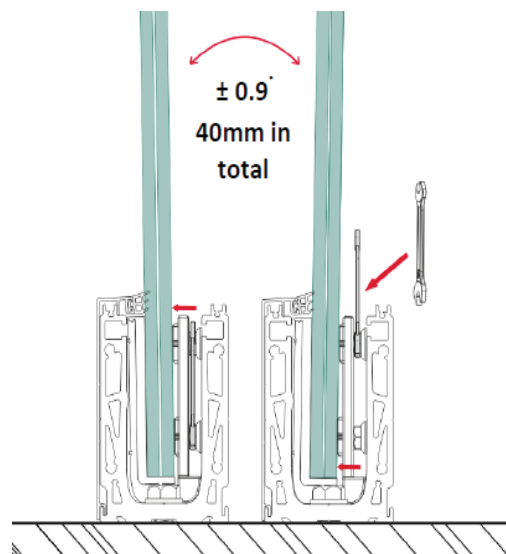
Assembly components

# LINERA

The next generation in Balustrades



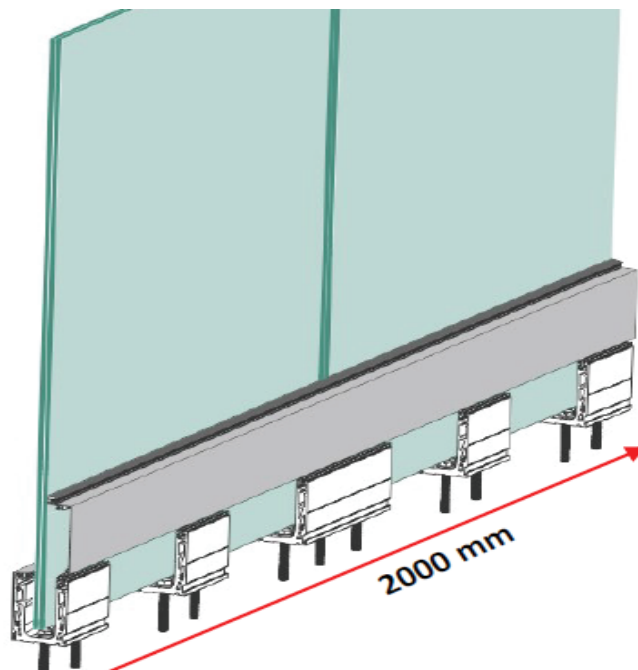
Water extraction method



Adjustment system



Fully assembled balustrade



Installation method